

Data Sheet 72.4

Dryer Base, Outlet Hopper and Legs



A Cimbia dryer base consists of a volumetric discharge (see data sheet 72.3), outlet hopper and legs.

The height of the dryer base and thereby the height of the legs depends on the type of outlet and transport system from the dryer.

Hopper

The dryer is equipped with a standard outlet hopper (see measurements from table 2 and figure 1). This outlet hopper is supplied with an inspection hatch and a flange compatible with Cimbia accessories.

The accessory programme includes additional outlet hoppers for our Q-programme and transition pieces for side inlets for Cimbia chain conveyors. See table 1 for types.

Figure 1 shows a dryer base with additional hopper for our Q-programme. In table 2 measurements of the dryer base and free height below hopper is stated.

Table 1: Additional Outlet hopper

Outlet for	A-dryer	B-dryer	C-dryer
Q-programme	Q-24	Q-20	Q-16
Side inlet for chain conveyor	RL 5 - 8	RL 3 - 5	Not possible

Height Of Dryer Base

Standard height of the dryer base of a Cimbia dryer is 1520 or 2220 mm. An extra outlet hopper for the Q-programme necessitates a dryer base with a height of 2220 mm.

Material

The standard outlet hopper is manufactured from 3 mm steel. Surface painted green RAL 6005. Additional outlet hoppers are manufactured from 2 mm-galvanised steel plates. All hoppers are assembled with bolts.

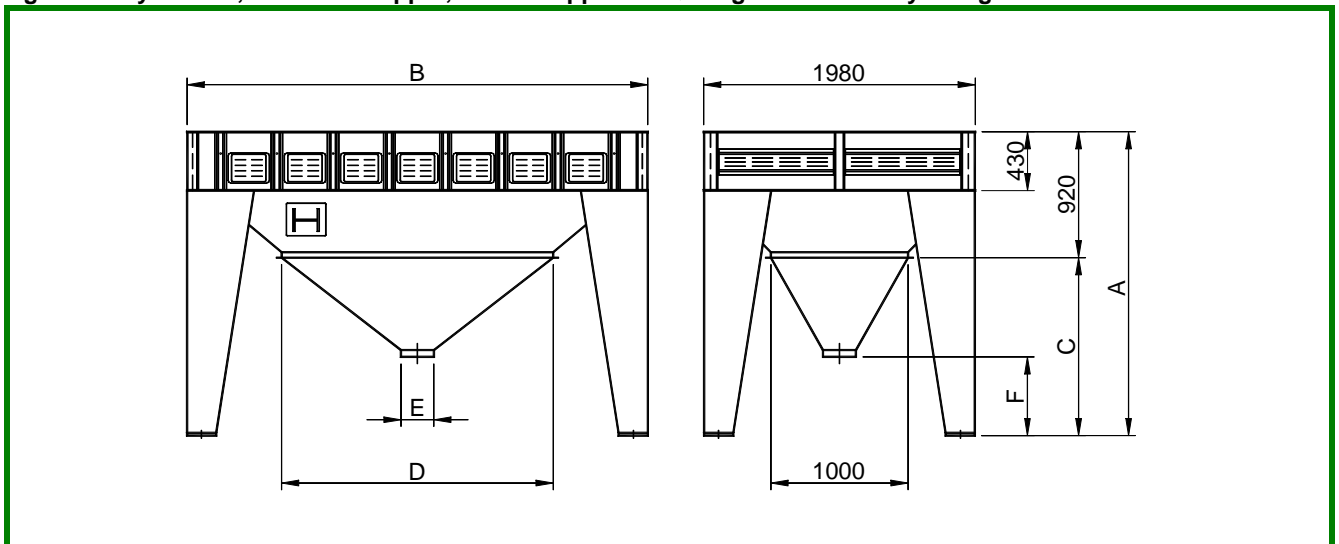
Legs for the dryer are manufactured from 5 mm steel. Surface painted green RAL 6005.

Table 2: Measurements For Figure 1

Referring to figure 1	A-dryer		B-dryer		C-dryer	
A	1520	2220	1520	2220	1520	2220
B	3360	3360	2160	2130	1310	1310
C	600	1300	600	1300	600	1300
D	1980	1980	990	990	170	170
E	-	Q-24	-	Q-20	Q-16	Q-16
F at Q-Outlet	-	575	-	850	250	950
F at RL 3	-	-	460	1160	-	-
F at RL 5	558	1258	558	1258	-	-
F at RL 7	563	1263	-	-	-	-
F at RL 8	-	1010	-	-	-	-

Measurements in mm.

Figure 1: Dryer Base, Standard Hopper, Outlet Hopper for Q-Programme and Dryer Legs



Copyright © - The right to alterations is reserved