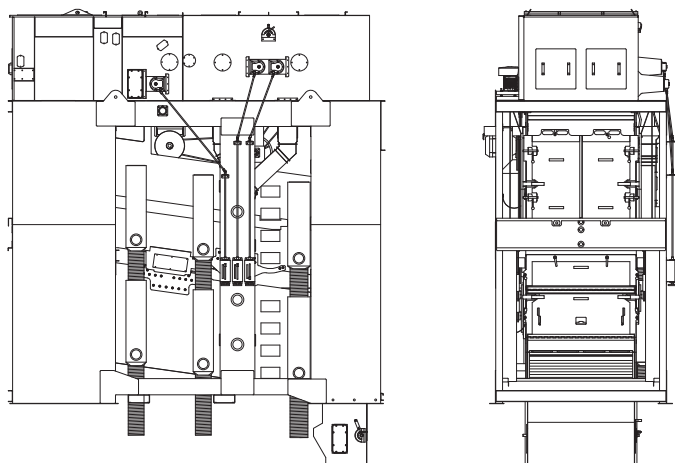


AIR-SCREEN CLEANER DELTA 159

GENERAL

Brand	Cimbria
Designation	Air-screen cleaner
Model	DELTA 159
Use	Industry
Application	Pre cleaning or industrial cleaning of cereal grains, pulses, oilseeds etc.



PERFORMANCE

Materials	Bulk density t/m ³	Moisture content %	Capacity t/h
Barley	0.68	20 (15)	200 (160)
Coffee, green	0.65	20 (15)	50–90 (80)
Maize	0.71	20 (15)	180–200 (150)
Malt	0.52	20 (15)	100 (90)
Oats	0.51	20 (15)	100 (30)
Peas, common	0.7	20 (15)	180–200 (80–180)
Rapeseed	0.74	20 (7–9)	180–200 (80)
Rice, paddy	0.51	20 (15)	80–100 (30–40)
Rice, white	0.75	20 (15)	180–200 (45)
Rye	0.69	20 (15)	200 (160)
Sorghum	0.64	20 (15)	200 (160)
Soybeans	0.72	20 (15)	180–200 (80–180)
Sunflower	0.4	14 (7–9)	80 (60–80)
Wheat	0.76	20/15 (15)	200/250 (160)

Legend: Values in parentheses are for industrial cleaning. Other values are for pre cleaning.

Note: Capacities may vary for different impurity and moisture contents.

DIMENSIONS

Screen area, total	24 m ²
Screen size	1 250×800 mm (24 pcs)
Overall length	4 414 mm
Overall height	5 373 mm
Overall width	2 271 mm

WEIGHT

Weight, empty	7 600 kg
Weight, operating (wheat)	9 280 kg
Weight, choked (wheat)	17 000 kg

OPERATING SPEED

Shaker feeder (shaft)	100–500 rpm
Screens (shaft)	280–285 rpm

ELECTRICAL RATINGS

Motor, shaker feeder	1.5 kW
Motor, screens	3 kW

AIR SUPPLY AND EXTRACTION

Aspiration volume	12 000–18 000 m ³ /h
-------------------	---------------------------------

DYNAMIC LOADS

Horizontal load "Ph"	±1 420 N @ 4.6–4.8 Hz
Vertical load "Pv1" (inlet end)	±7 575 N @ 4.6–4.8 Hz
Vertical load "Pv2" (outlet end)	±7 575 N @ 4.6–4.8 Hz

Note: Dynamic loads are for normal operation.

NOISE

Sound pressure level, empty	77.6 dB(A)
-----------------------------	------------

COMPLIANCE

EU machinery legislation	Yes
EU ATEX legislation	Option*
EU food contact legislation	Option*

* Consult your Cimbria dealer for full details.

ENVIRONMENTAL CONDITIONS

Environment	Indoors
Temperature	From -20°C to +40°C
Altitude	Up to 800 m

SURFACE PROTECTION

Frame and enclosure	Pre-galvanising
---------------------	-----------------

LIFETIME

Intended life limit	20 years
---------------------	----------